




Vertopia

Beautifully Crafted Gardens

Bowcombe Business Park Office,
Bowcombe Business Park, Newport,
Isle of Wight PO30 3HZ

 01983 408 873 / 07930 282993

 info@vertopia.co.uk

 [vertopiagardens](https://www.instagram.com/vertopiagardens)



www.vertopiagardens.com



Classic Planters.
Ingenious Design.
British Made.



CLASSIC Planters made with care in the UK...

As a garden designer I worry about the health of a valuable specimen when it has outgrown its container. Moving the plant can damage the roots and often means the original pot is destroyed. This felt like a terrible waste.

I am originally from France so I looked to my gardening roots and was inspired by the classic "Noble" planters of André Le Nôtre the "Jardinier du Roi" of Louis XIV, the Sun King.

My **CLASSIC Planters** are the result.

Traditional orangery boxes were made with timber. However I have chosen to use a modern material. Bamboo is sustainable and a natural fast-growing alternative to tropical hardwood. It is CO2 neutral over its lifetime, and does not contribute to deforestation.

The perfect solution for valuable and ornamental trees.

Suzie Mulon - Designer

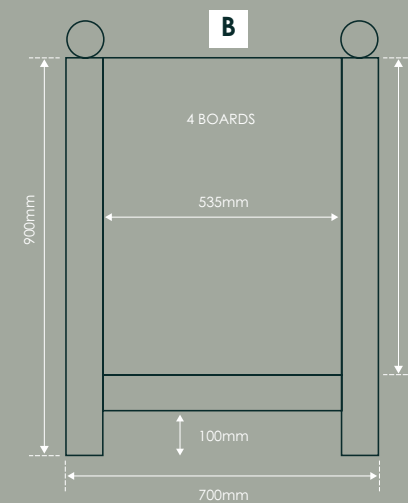
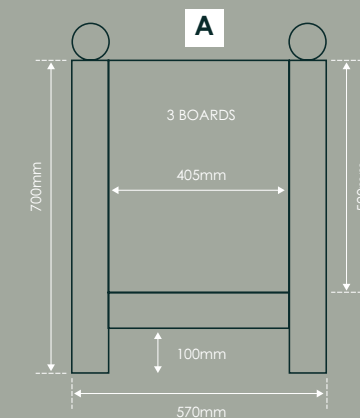
the details...

- All 4 side panels can be removed for easy re-potting.
- Planter sides are made of 20 mm thick high density thermo treated MOSO bamboo®
- Each panel is held in place by 2 steel bars for strength.
- The steel frame is powder coated in any BSC/RAL colour.
- The side panels are spray painted with Dulux Weathershield Satin.

sizes available:

A 0.57m (width) x 0.70m (height) excluding top ball detail

B 0.70m (width) x 0.90m (height) excluding top ball detail.



Removable sides allow careful handling
of valuable plants